

# 1 P/C BALL VALVE (JACKETED)

OPERATION :- MANUAL

APPLICABLE STANDARD :

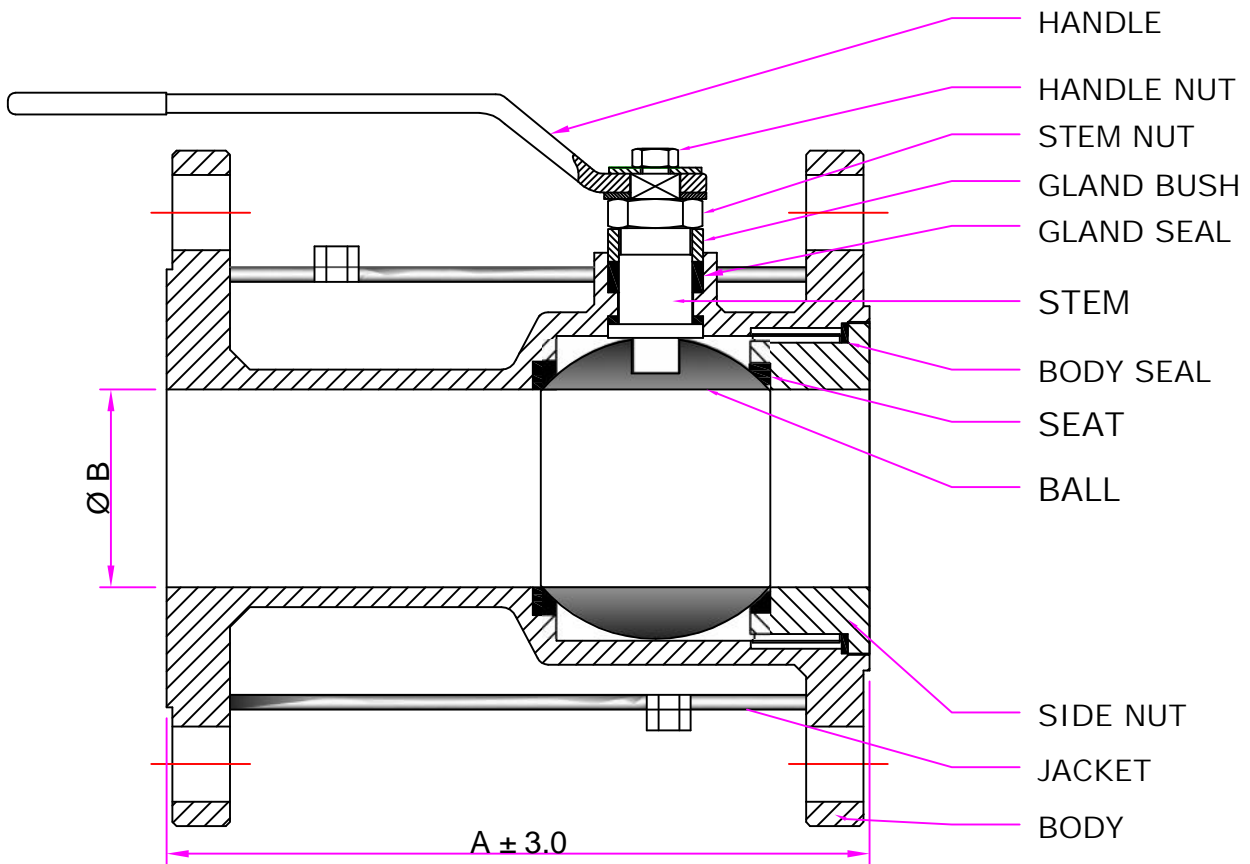
MFG. STD. :- BS 5351 / API 6D / BSEN 17292  
 Testing std. :- BS 5146 / API 598 / BSEN 12266-1/ API 6D  
 Face to Face :- ANSI B 16.10  
 Drilling :- ANSI B 16.5  
 End Conn. :- FLANGED END

VALVE OPERATION: -

- 1) Hand Lever Ope.
- 2) Gear Operated.
- 3) Actuator Ope. with Limit Switch

SPECIFICATION: -

- 1) Extended Stem
- 2) Partial / Full Jacketed



VALVE SIZE - INCH	1/2"	3/4"	1"	1.5"	2"	2.5"	3"	4"	6"	
VALVE SIZE - MM	15	20	25	40	50	65	80	100	150	
A	150 #	108.0	117.5	127.0	165.0	178.0	190.5	203.0	228.0	266.0
	300 #	140.0	152.0	165.0	190.5	216.0	241.0	283.0	305.0	403.0
Ø B	13.0	19.0	25.0	38.0	51.0	64.0	76.0	102.0	152.0	



## FLOW-TEK VALVES & CONTROLS INC

PLOT NO: 172-173, ROAD NO. 4, G.I.D.C.,  
 KATHWADA, AHMEDABAD - 382430  
 (M) : 09824080899, 09824539702  
 PHONE : (079) 22900220, 22900219  
 E-MAIL : info@flowagevalves.com, hemal21386@gmail.com  
 url : www.delugecontrolvalve.com, www.flowagevalves.com  
 AN ISO 9001:2008 CERTIFIED COMPANY