

# 1 P/C BALL VALVE

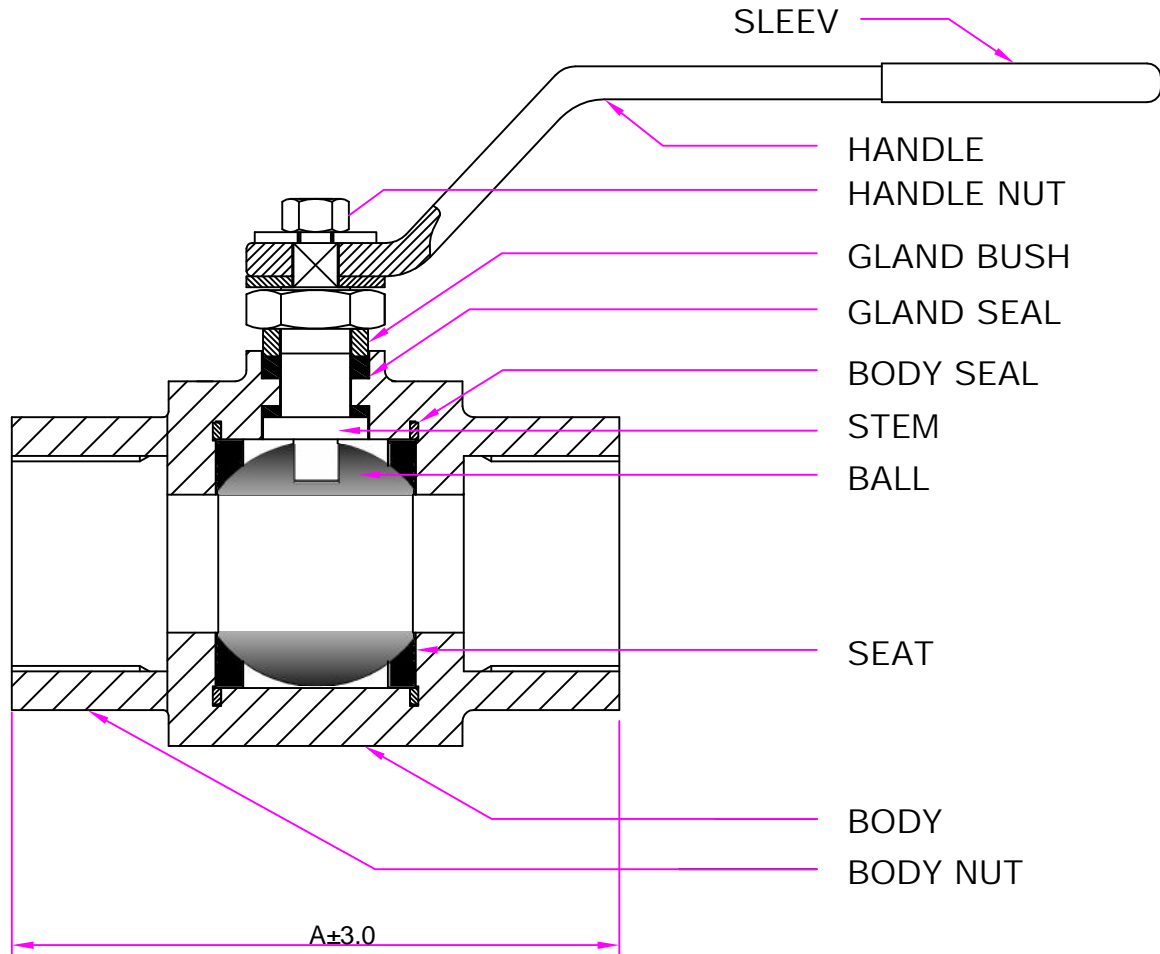
OPERATION :- MANUAL

**APPLICABLE STANDARD :**

MFG. STD. :- BS 5351 / API 608  
 Testing std. :- BS 5146 / API 598  
 Face to Face :- ANSI B 16.10  
 End Conn. :- Screwed End (BSP / NPT ) F  
 :- Socket Weld End

**VALVE OPERATION:-**

- 1) Hand Lever Operated.
- 2) Actuator Operated with Locking arrangement.



VALVE SIZE - INCH	1/2"	3/4"	1"	1.5"	2"
VALVE SIZE - MM	15	20	25	40	50
A	63.0	66.0	80.0	104.0	122.0



**FLOW-TEK VALVES & CONTROLS INC**

PLOT NO: 172-173, ROAD NO. 4, G.I.D.C.,  
 KATHWADA, AHMEDABAD - 382430  
 (M) : 09824080899, 09824539702  
 PHONE : (079) 22900220, 22900219  
 E-MAIL : info@flowagevalves.com, hemal21386@gmail.com  
 url : www.delugecontrolvalve.com, www.flowagevalves.com  
 AN ISO 9001:2008 CERTIFIED COMPANY