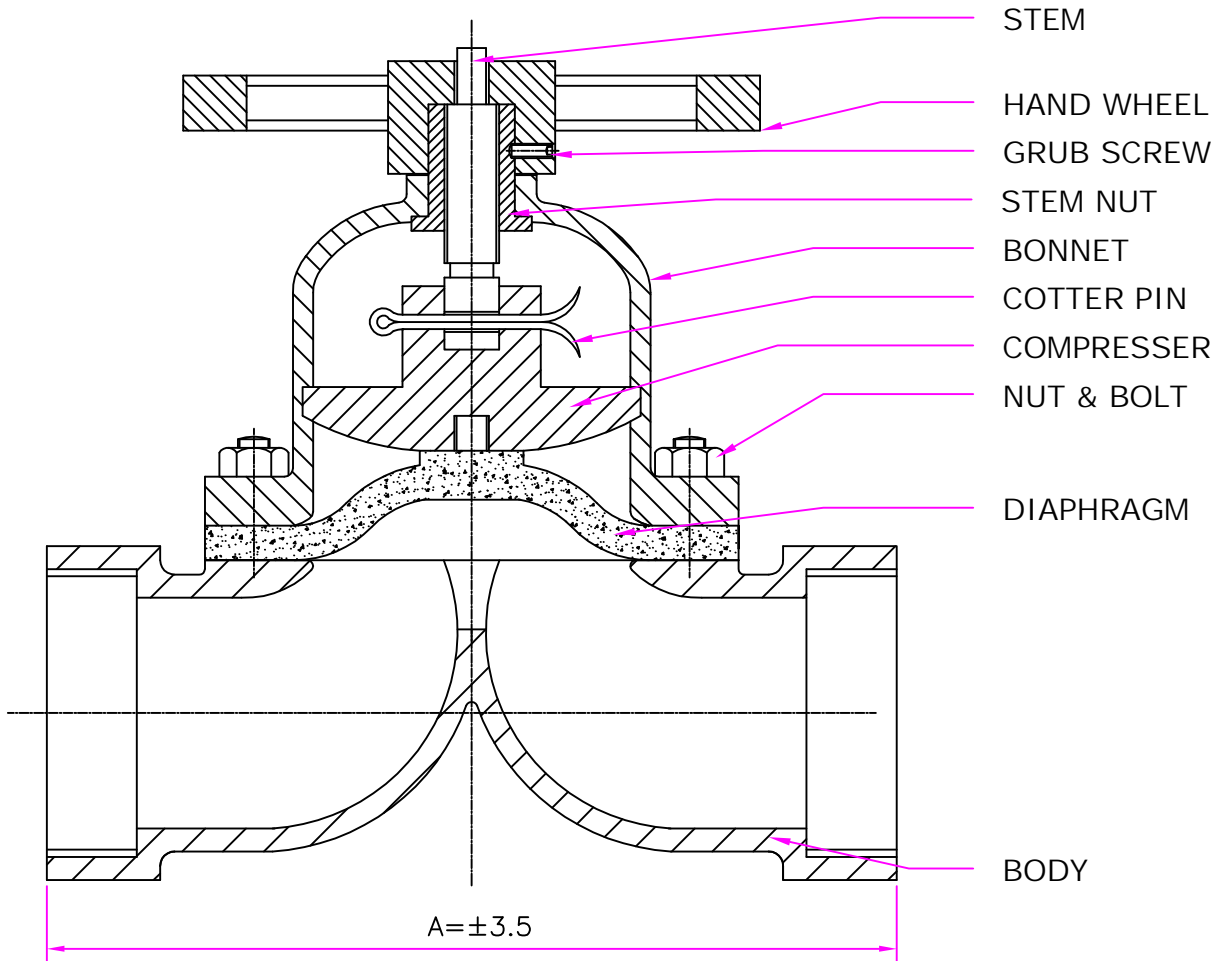


DIAPHRAGM VALVE (HAND WHEEL OPERATED)

APPLICABLE STANDARD

DESIGN STD. : BS 5156
 TESTING STD. : BS 5156
 RATING : 150#/ 300#/ 600#
 DRILLING : AS PER ANSI B 16.5
 FACE TO FACE : AS PER ANSI B 16.10
 OPERATION : HAND WHEEL OPERATED
 END CONN. : SCREWED END



VALVE SIZE - INCH	1/2"	3/4"	1"	1 1/4"	1.5"	2"	2.5"	3"	4"	5"	6"	8"	10"	12"	
VALVE SIZE - MM	15	20	25	32	40	50	65	80	100	125	150	200	250	300	
A	150#	108	117	127	146	159	190	216	254	305	356	406	520	635	750



FLOW-TEK VALVES & CONTROLS INC

PLOT NO: 172-173, ROAD NO. 4, G.I.D.C.,
 KATHWADA, AHMEDABAD - 382430
 (M) : 09824080899, 09824539702
 PHONE : (079) 22900220, 22900219
 E-MAIL : info@flowagevalves.com, hemal21386@gmail.com
 url : www.delugecontrolvalve.com, www.flowagevalves.com
 AN ISO 9001:2008 CERTIFIED COMPANY