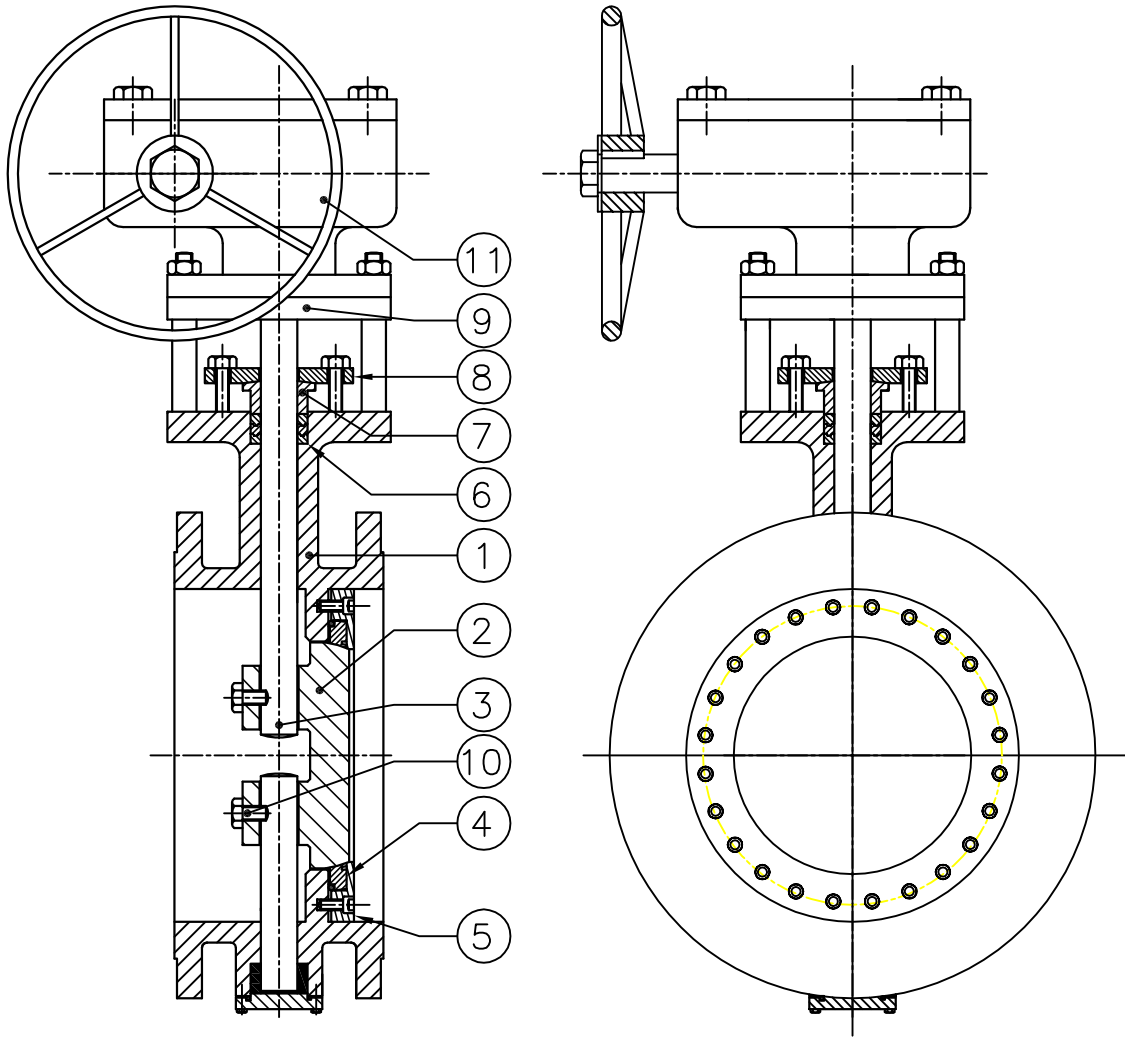


DOUBLE ECCENTRIC BUTTERFLY VALVE



DOUBLE ECCENTRIC BUTTERFLY VALVE

FEATURES:

- * Double Eccentric Design
- * The resilient seal encapsulated in the disc is fully adjustable and replaceable
- * One piece seal retaining ring
- * Standard SS 304 for body seat ring and seal retaining ring, other materials are optional
- * Available in metal to metal seating
- * Horizontal shaft as standard, vertical shaft mounting optional
- * Suitable for throttling service
- * Low head loss
- * Face To Face dimension available to different standards
- * Flanges according to international standards
- * Standard supplied including worm gear operator: other means of operation on request
- * Size Range: 50 NB TO 1200 NB (larger sizes on request)

MATERIAL SPECIFICATION

SR. NO.	PART NAME	MATERIAL
1	BODY	C.I. TO IS 210 GR. FG 200
2	DISC	DUCTILE IRON (GGG 50)
3	SPINDLE	AISI 304
4	SEAT	AISI 304
5	CLAMPING RING	AISI 304
6	GLAND PACKING	P.T.F.E.
7	GLAND BUSH	C.S.
8	GLAND FLANGE	C.S.
9	GEAR BRACKET	M.S. FABRICATED
10	NUT & BOLTS	C.S.
11	GEAR BOX	M.S. FABRICATED (HEAVY) C.I. TO IS 210 GR. FG 200