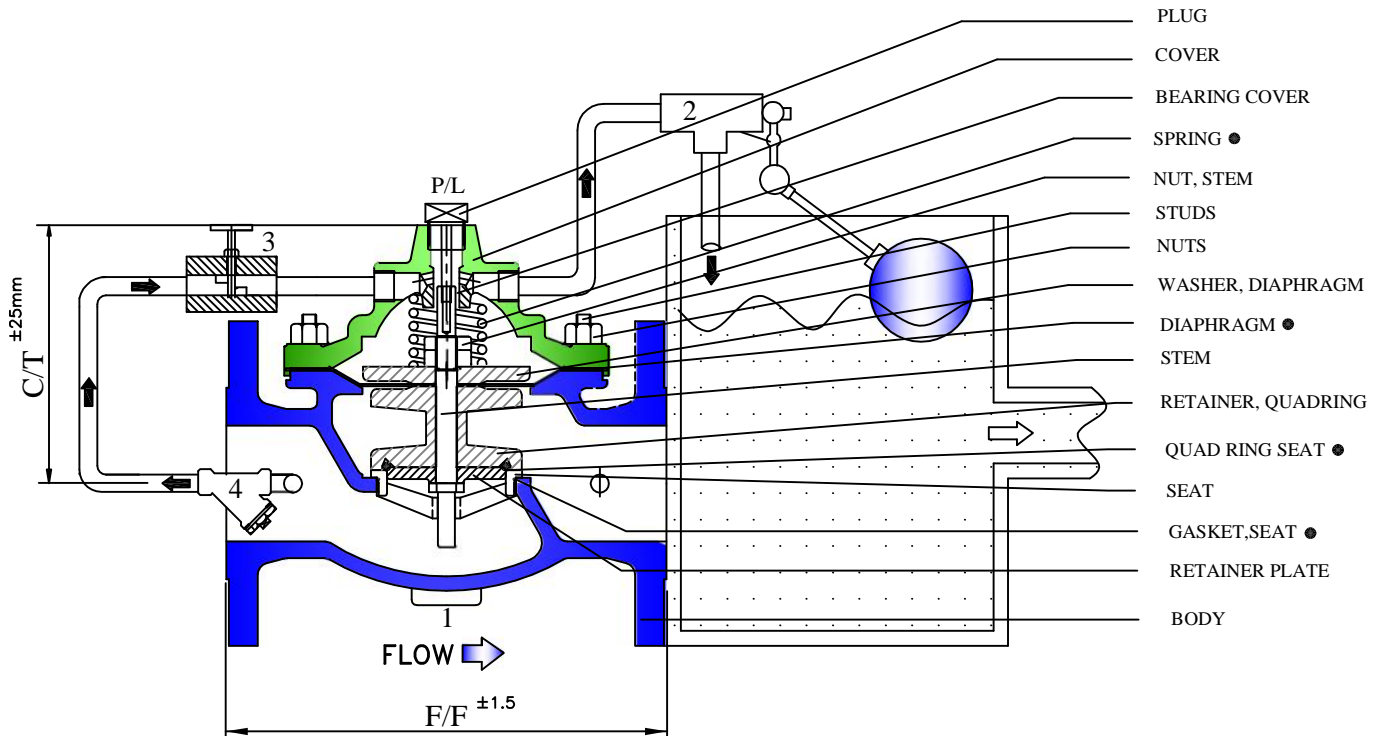


FLOAT VALVE - MODULATING (CONSTANT LEVEL - TANK FILL) FT-110-10

VALVE FUNCTION

- MAINTAINS A CONSTANT LIQUID LEVEL IN A TANK, POND OR OTHER RESERVOIR
- REMOTE MOUNTED PILOT IS SENSITIVE TO SLIGHT CHANGES IN LEVEL AND CONTROLS MAIN VALVE TO :
- OPEN WHEN LEVEL DROPS
- CLOSE WHEN LEVEL RISES



● RECOMMENDED SPARE

VALVE SIZE - INCH	1"	1-1/2"	2"	3"	4"	6"	8"	10"	12"	14"	16"
VALVE SIZE - mm	25	40	50	80	100	150	200	250	300	350	400
F/F (150 ANSI)	152	179	238	305	381	508	645	756	864	991	1051
C/T Max.-F100	75	115	140	175	220	305	400	480	530	570	665

COMPONENTS

- 1 - BASIC VALVE
- 2 - FIG.10-11 MODULATING FLOAT CONTROL
- 3 - NEEDLE VALVE- Adj. closing speed
- 4 - STRAINER-'Y' TYPE

CLOSES VALVE
 OPENS VALVE



FLOW-TEK VALVES & CONTROLS INC

PLOT NO: 172-173, ROAD NO. 4, G.I.D.C.,
 KATHWADA, AHMEDABAD - 382430
 (M) : 09824080899, 09824539702
 PHONE : (079) 22900220, 22900219
 E-MAIL : info@flowagevalves.com, hemal21386@gmail.com
 url : www.delugecontrolvalve.com, www.flowagevalves.com
 AN ISO 9001:2008 CERTIFIED COMPANY