

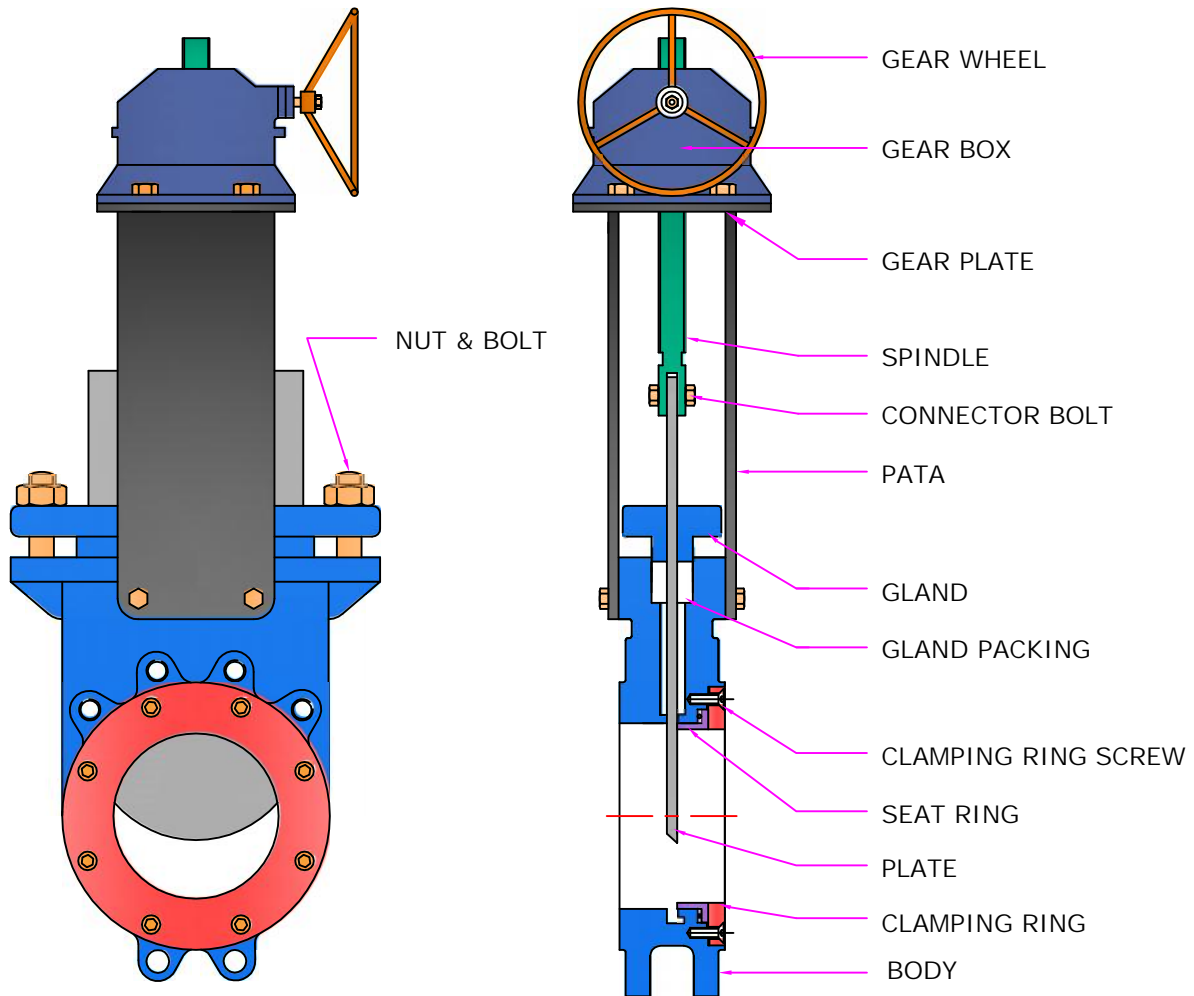
KNIFE EDGE GATE VALVE

GEAR OPERATED

VALVE DESIGN : MSS SP-81
 TESTING : MSS SP 81 NORMS
 MOUNTING : BETWEEN CLASS 150 FLANGES
 DRILLING : AS PER ANSI B16.5, CLASS 150
 VALVE TYPE : UNI-DIRECTIONAL TYPE, RISING SPINDLE
 SEAT TYPE : METAL TO METAL

The Design of Body and Seat assures Non-clogging Shut off on Suspended Solids in Industries Such as:-

- | | |
|-----------------|--------------------|
| 1] PULP & PAPER | 4] CHEMICAL PLANT |
| 2] POWER PLANT | 5] WASTE WATER |
| 3] MINING | 6] FOOD & BEVERAGE |



VALVE SIZE - INCH	1.1/4"	2"	2.5"	3"	4"	5"	6"	8"	10"	12"	14"	16"	18"	20"	24"	
VALVE SIZE - MM	32	50	65	80	100	125	150	200	250	300	350	400	450	500	600	
F/F	150 #	48.0	48.0	51.0	51.0	51.0	57.0	57.0	70.0	70.0	76.0	76.0	89.0	89.0	114.0	114.0



FLOW-TEK VALVES & CONTROLS INC

PLOT NO: 172-173, ROAD NO. 4, G.I.D.C.,
 KATHWADA, AHMEDABAD - 382430
 (M) : 09824080899, 09824539702
 PHONE : (079) 22900220, 22900219
 E-MAIL : info@flowagevalves.com, hemal21386@gmail.com
 url : www.delugecontrolvalve.com, www.flowagevalves.com
 AN ISO 9001:2008 CERTIFIED COMPANY