

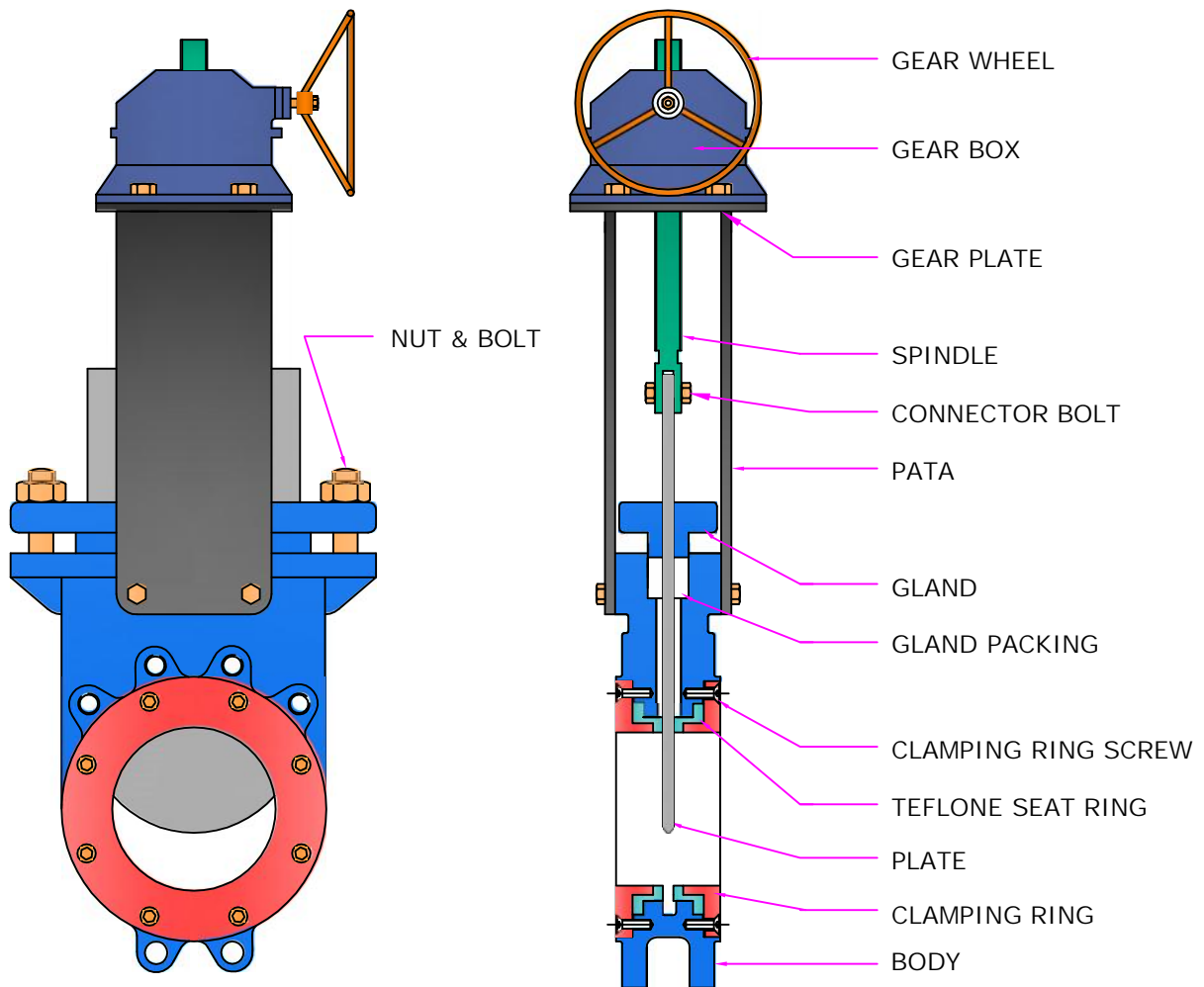
# KNIFE EDGE GATE VALVE

## GEAR OPERATED

VALVE DESIGN : MSS SP-81  
 TESTING : MSS SP 81 NORMS  
 MOUNTING : BETWEEN CLASS 150 FLANGES  
 DRILLING : AS PER ANSI B16.5, CLASS 150  
 VALVE TYPE : BI-DIRECTIONAL TYPE, RISING SPINDLE  
 SEAT TYPE : SOFT SEATED ( TEFLONE )

The Design of Body and Seat assures Non-clogging Shut off on Suspended Solids in Industries Such as:-

- |                 |                    |
|-----------------|--------------------|
| 1] PULP & PAPER | 4] CHEMICAL PLANT  |
| 2] POWER PLANT  | 5] WASTE WATER     |
| 3] MINING       | 6] FOOD & BEVERAGE |



VALVE SIZE - INCH	1.1/4"	2"	2.5"	3"	4"	5"	6"	8"	10"	12"	14"	16"	18"	20"	24"	
VALVE SIZE - MM	32	50	65	80	100	125	150	200	250	300	350	400	450	500	600	
F/F	150 #	48.0	48.0	51.0	51.0	51.0	57.0	57.0	70.0	70.0	76.0	76.0	89.0	89.0	114.0	114.0



### FLOW-TEK VALVES & CONTROLS INC

PLOT NO: 172-173, ROAD NO. 4, G.I.D.C.,  
 KATHWADA, AHMEDABAD - 382430  
 (M) : 09824080899, 09824539702  
 PHONE : (079) 22900220, 22900219  
 E-MAIL : info@flowagevalves.com, hemal21386@gmail.com  
 url : www.delugecontrolvalve.com, www.flowagevalves.com  
 AN ISO 9001:2008 CERTIFIED COMPANY