

GLOBE TYPE CONTROL VALVES SINGLE

SEAT - TOP & BOTTOM GUIDED (AIR TO OPEN)

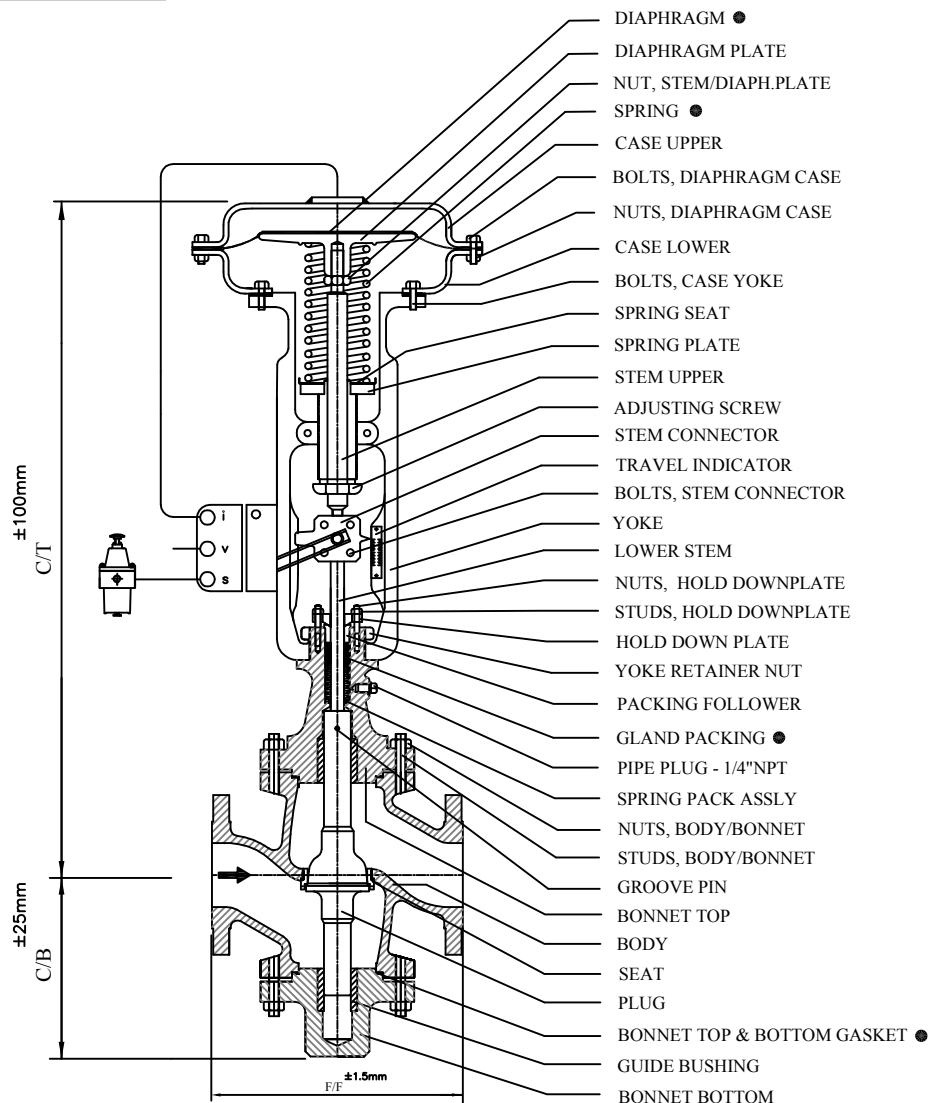
TECHNICAL SPECIFICATION :

The Model 714-R is a single seated top & bottom guided globe type control valves. handle air,water,steam,gas,oil and other fluids in processes having tight shutoff requirements. top & bottom guiding extends range of applications by eliminating the side thrust effect of pressure drop across the plug. valve can be used in throttling or on-off service. it can be mounted in any position in the piping. air to open or air to close valve action is obtained by either reversing the body & trim or reversing the actuator. valve body and trim can be easily reversed in the field without additional parts.

Size Range : 1" (25mm) to 6" (150mm)

Rating :150 , 300 & 600 Class.

MODEL NO:14-R



VALVE SIZE - INCH	1"	1-1/2"	2"	3"	4"	6"
VALVE SIZE - mm	25	40	50	80	100	150
F/F 150 ANSI	184	222	254	298	352	450
C/T	600	612	650	775	880	985
C/B	125	154	164	214	276	323

● RECOMMENDED SPARE



FLOW-TEK VALVES & CONTROLS INC

PLOT NO: 172-173, ROAD NO. 4, G.I.D.C.,
 KATHWADA, AHMEDABAD - 382430
 (M) : 09824080899, 09824539702
 PHONE : (079) 22900220, 22900219
 E-MAIL : info@flowagevalves.com, hemal21386@gmail.com
 url : www.delugecontrolvalve.com, www.flowagevalves.com
 AN ISO 9001:2008 CERTIFIED COMPANY