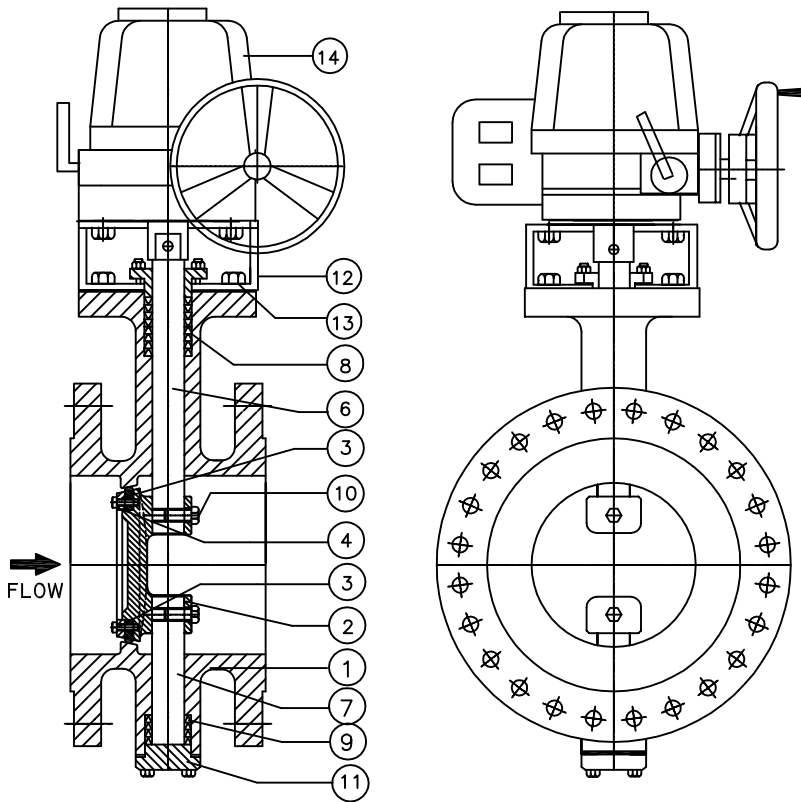


TRIPLE ECCENTRIC BUTTERFLY VALVE



TRIPLE ECCENTRIC BUTTERFLY VALVE

FEATURES:

- \* Hhigh performance triple eccentric butterfly valve am 780 series
  - \* Excellent isolation function for gas and liquid and flow regulating feature
  - \* Long service life is available for welding in stainless steel or surfacing welding hard alloy valves
  - \* Sealing ring easy for replacing and regulating
  - \* Applicable to bad working conditions like high temperatures, high performance and corrosive
  - \* Lower operation torque and reliable torque turn off
- Size Range: 50NB to 1200 NB (larger sizes on request)

**BILL OF MATERIAL**

SR. NO	DESCRIPTION	MATERIAL	QTY.
1	BODY	ASTM A 216 GR. WCB	1
2	DISC	ASTM A 351 GR. CF8	1
3	BODY SEAT RING	AISI 304	1
4	CLAMPING RING	AISI 304	1
5	AL.SCREW	S.S. 304	—
6	TOP SHAFT	AISI 410	1
7	BOTTOM SHAFT	AISI 410	1
8	GLAND PACKING	PTFE "V" RING	2SET
9	BOTTOM PACKING	PTFE "V" RING	1SET
10	DISC BOLT	S.S. 304	1
11	BOTTOM COVER	M.S.	1
12	BRACKET	M.S. FABRICATED	1
13	BOLTS	M.S.	4+4
14	ELE. ACTUATOR	AUMA MAKE	1